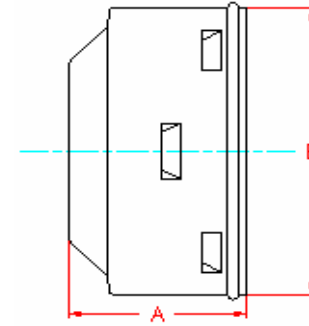


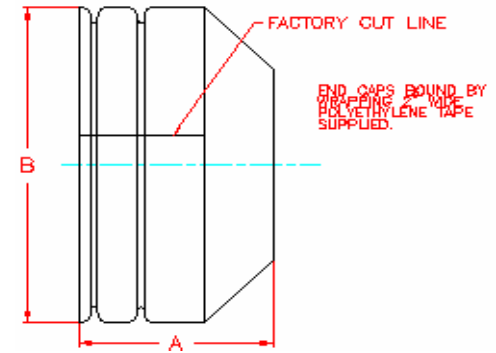
### SNAP END CAP

PART #	PIPE SIZE	A	B
0332AA	3 in (75 mm)	1.9 in (48 mm)	4.0 in (102 mm)
0432AA	4 in (100 mm)	2.8 in (70 mm)	5.1 in (130 mm)
0832AA	8 in (200 mm)	4.3 in (108 mm)	9.9 in (251 mm)
1032AA	10 in (250 mm)	5.0 in (127 mm)	12.5 in (318 mm)



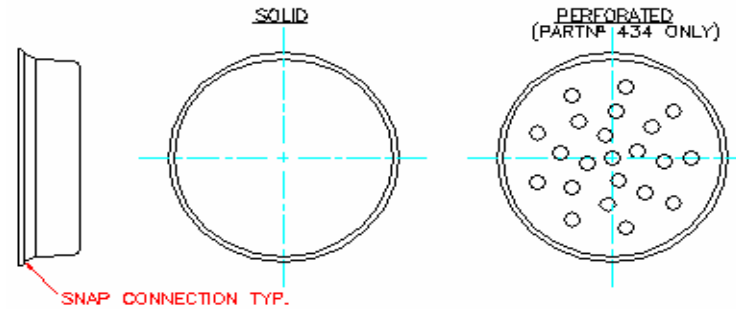
### SPLIT END CAP

PART #	PIPE SIZE	A	B
0331AA	3 in (75 mm)	3.3 in (83 mm)	4.0 in (102 mm)
0431AA	4 in (100 mm)	2.8 in (70 mm)	5.1 in (130 mm)
0531AA	5 in (125 mm)	4.3 in (108 mm)	6.3 in (159 mm)
0631AA	6 in (150 mm)	3.3 in (83 mm)	7.4 in (187 mm)



### INTERNAL END PLUG

PART #	PIPE SIZE	TYPE
0333AA	3 in (75 mm)	SOLID
0433AA	4 in (100 mm)	SOLID
0533AA	5 in (125 mm)	SOLID
0633AA	6 in (150 mm)	SOLID
0434AA	4 in (100 mm)	PERFORATED



NOTE: ALL DIMENSIONS ARE NOMINAL



DRAWING #:	1045	
DRAWN BY:	CRM	09.11.06
APPROVED BY:	JCB	06.25.07
REVISIONS:	NJP	06.12.07